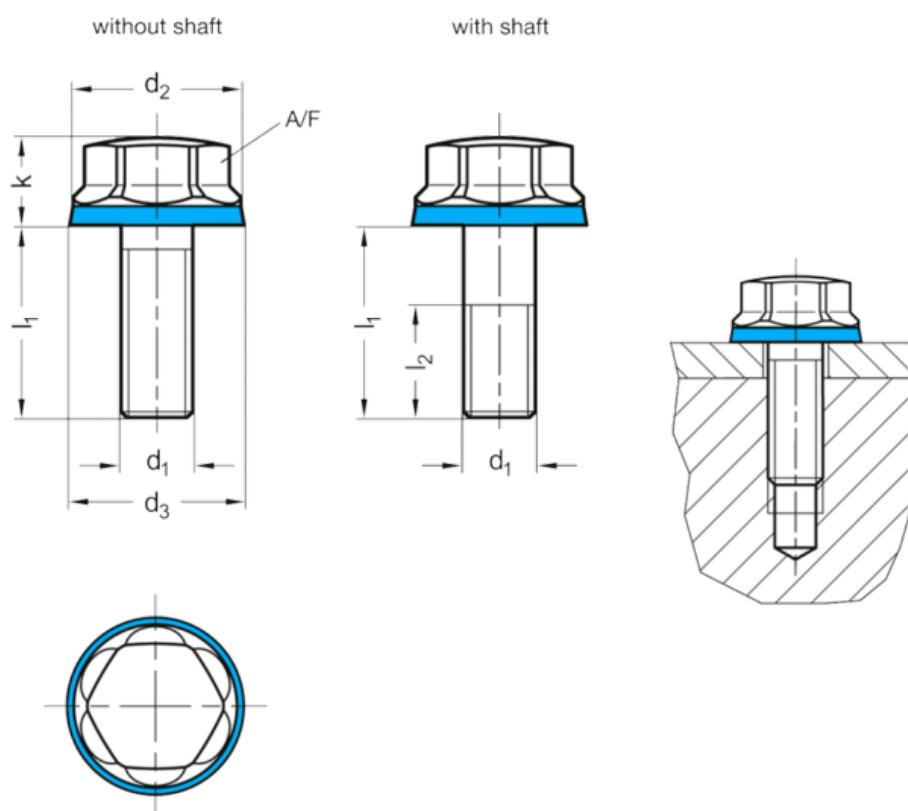


Article number: 201581M1030MTE

Description: E+G Screw GN 1581-M10-30-MT-E  
EPDM Sealing ring in hygienic design

## Measures



|                  |        |                    |
|------------------|--------|--------------------|
| A/F              | = 16   | Weight in (g) = 34 |
| d1               | = M10  |                    |
| d2               | = 19   |                    |
| d3               | = 19.8 |                    |
| l1 without shaft | = 30   |                    |
| l1 with shaft    | = -    |                    |
| l2               | = -    |                    |
| k                | = 9.5  |                    |